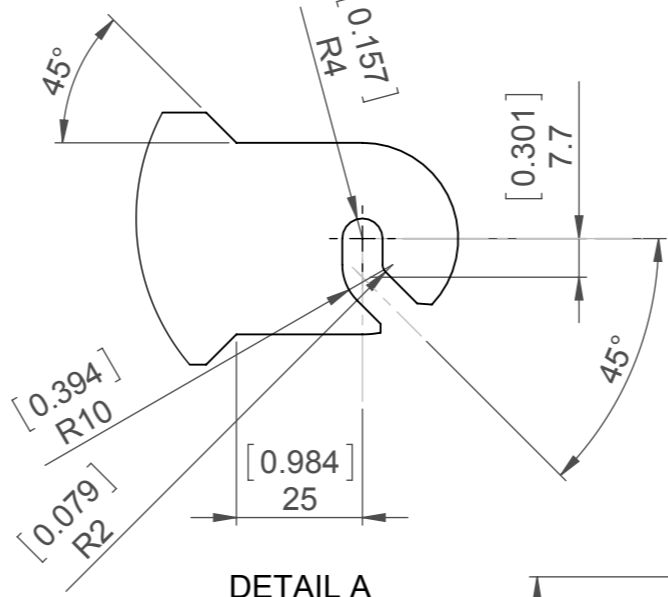
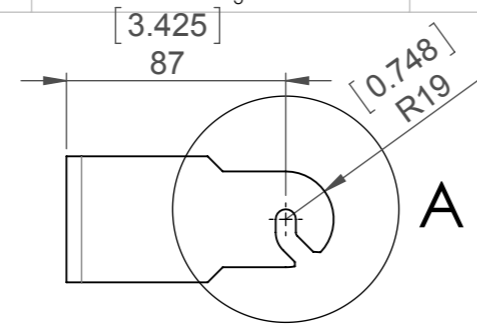
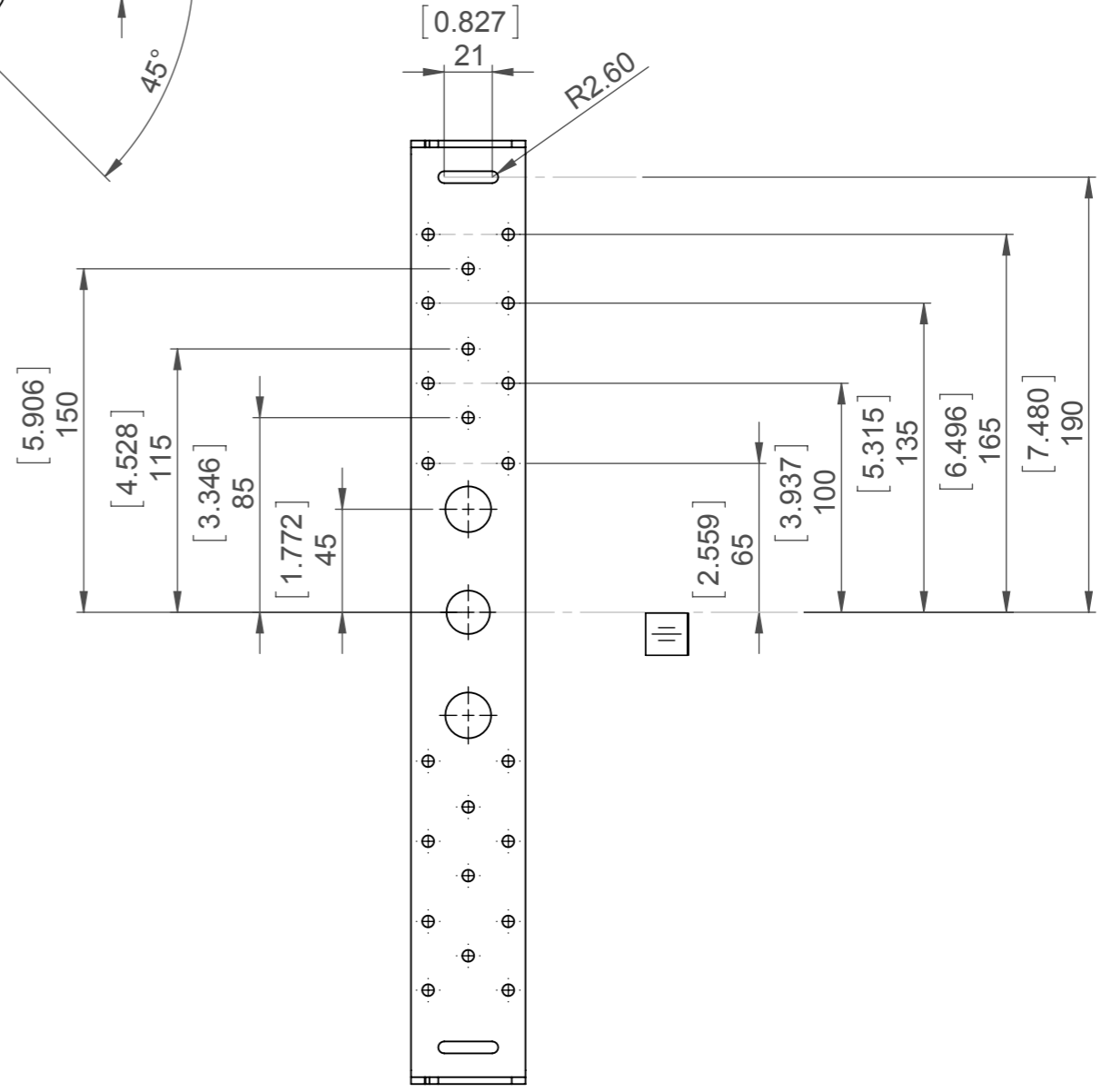
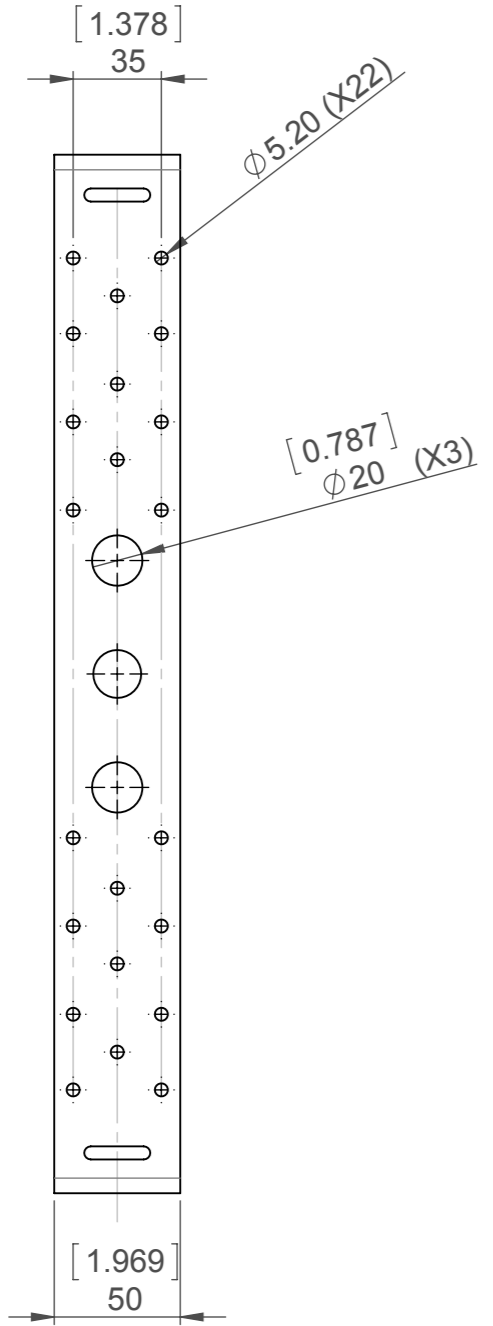


REVISIONS				
ZONE	REV.	DESCRIPTION	DATE	APPR.
	A	PROTOTYPE		



DETAIL A  
SCALE 2 : 3



**Notes**  
 Material: 3mm Aluminium  
 De-burr all sharp corners and break all corners 0.5X45deg  
 Finish: Powder coat - specify for external use

	PROJECT		DATE 04/09/2015															
	DESCRIPTION Large Bracket		DRG. No. 0614-2-001															
<b>DO NOT SCALE</b>	CLIENT		DRG. BY															
DIMENSIONS IN mm	MATERIAL & FINISH	<b>SHEET 1 OF 1</b>	CHK. BY															
<table border="1"> <thead> <tr> <th>DIMENSION RANK</th> <th>TOLERANCE</th> </tr> </thead> <tbody> <tr> <td>ANGULAR</td> <td>±0.25°</td> </tr> <tr> <td>0-6</td> <td>±0.05</td> </tr> <tr> <td>6-30</td> <td>±0.1</td> </tr> <tr> <td>30-120</td> <td>±0.15</td> </tr> <tr> <td>120-315</td> <td>±0.2</td> </tr> <tr> <td>315-1000</td> <td>±0.3</td> </tr> <tr> <td>1000-2000</td> <td>±0.5</td> </tr> </tbody> </table>	DIMENSION RANK		TOLERANCE	ANGULAR	±0.25°	0-6	±0.05	6-30	±0.1	30-120	±0.15	120-315	±0.2	315-1000	±0.3	1000-2000	±0.5	SEE NOTES
DIMENSION RANK	TOLERANCE																	
ANGULAR	±0.25°																	
0-6	±0.05																	
6-30	±0.1																	
30-120	±0.15																	
120-315	±0.2																	
315-1000	±0.3																	
1000-2000	±0.5																	
		<b>CAMBRIDGE INDUSTRIAL DESIGN LTD</b> E-mail: info@cambridge-industrialdesign.com www.cambridge-industrialdesign.com																
<b>CONFIDENTIAL ©</b>		<b>A3</b>																